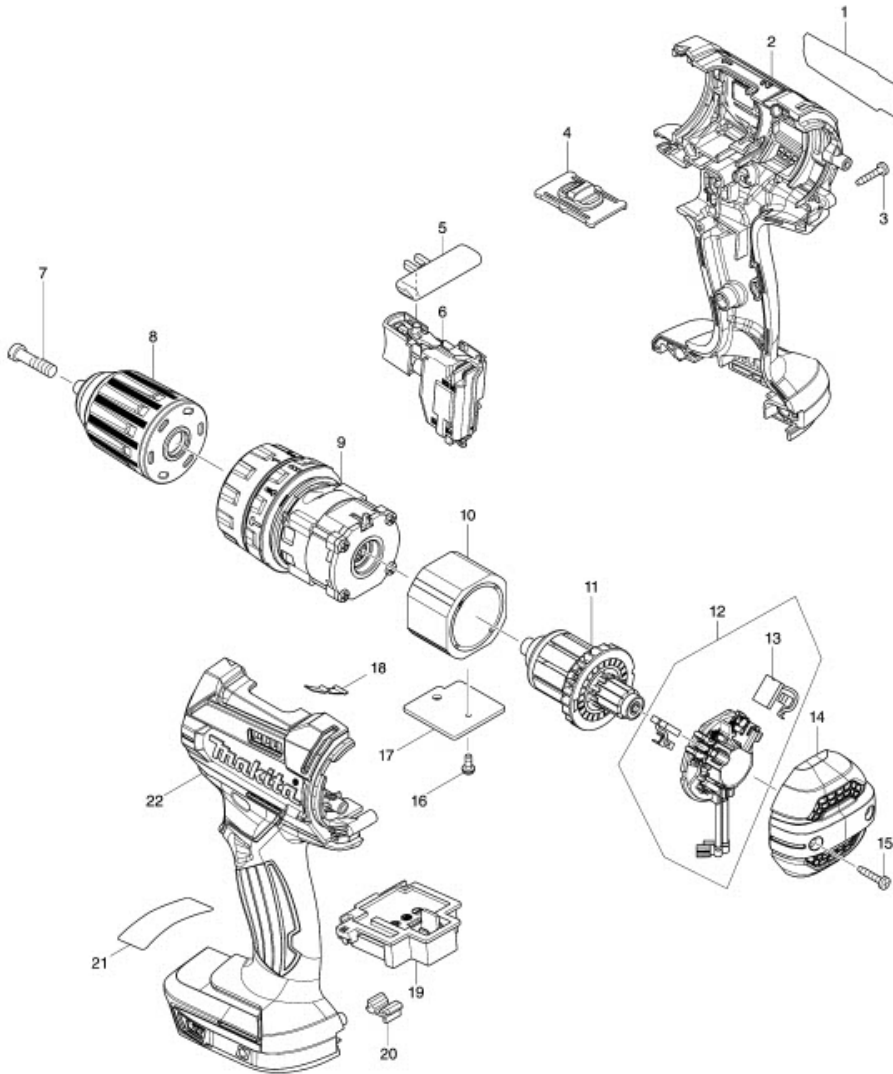


# Part Diagram

Model No.DHP482 CORDLESS HAMMER DRIVER DRILL



Item	Sub	Parts No.	Parts Description	Qty
1		851E32-8	DHP482 NAME PLATE	1
001-1		857L25-5	DHP482 NAME PLATE	1
001-1F		857L25-5	DHP482 NAME PLATE	1
2		183B65-0	HOUSING SET	1
2	C10	263005-3	RUBBER PIN 6	2
2	D10		INC. 22	
3		266429-2	TAPPING SCREW 3X16	9
4		123442-2	SPEED CHANGE LEVER ASSEMBLY	1
4	C10	233438-6	COMPRESSION SPRING 4	2
5		419041-9	F/R CHANGE LEVER	1
6		650753-7	SWITCH C3HA-Z1A-TLF1MS	1
6	C10	620444-4	LED CIRCUIT	1
7		251468-5	- FLAT HEAD SCREW M6X22	1
8		766027-7	KEYLESS DRILL CHUCK 13	1
9		123443-0	GEAR ASSEMBLY	1
10		632F32-1	YOKE UNIT	1
010-1		632J70-7	YOKE UNIT	1
11		619380-9	ARMATURE	1
12		632F22-4	BRUSH HOLDER COMPLETE	1
12	D10		INC. 13	
13		194427-5	CARBON BRUSH SET CB-440	1
14		456099-7	REAR COVER	1
15		266429-2	TAPPING SCREW 3X16	2
16		911006-2	PAN HEAD SCREW M3X8	1
016-1		652066-2	+PAN HEAD SCREW M3X9 WITH W	1
17		689070-8	HEAT SINK	1
18		232182-2	LEAF SPRING	1
19		644808-8	TERMINAL	1
20		424476-1	CUSHION	1
22		183B65-0	HOUSING SET	1
22	C10	263005-3	RUBBER PIN 6	2
22	D10		INC. 2	
23		857L26-3	DHP482 SERIAL NO. LABEL	1
023F		857L26-3	DHP482 SERIAL NO. LABEL	1
A01		251314-2	+ SCREW M4X12	1
A02		346317-0	HOOK	1
A03		784637-8	+ BIT 2-45	1
A04		141856-3	PLASTIC CARRYING CASE COMPLETE	1
A04A	C10	162302-3	LATCH	2
A04A	C20	324207-7	SHAFT	1
A04A	C30	451749-9	HANDLE	1
A04D		821695-4	PLASTIC CASE	1
A04D	C10	452143-8	SHAFT	2
A04D	C20	455522-9	SLIDE LATCH	2
A04F		821809-5	PLASTIC CASE	1
A04F	C10	455522-9	SLIDE LATCH	2
A05		450128-8	BATTERY COVER	1
A05E		450128-8	BATTERY COVER	2
A06		***DC18RC	DC18RC FAST CHARGER	1
A06F		***DC18SD	DC18SD BATTERY CHARGER	1
A07A		196399-0	BATTERY BL1840 SET	2
A07-1A		197265-4	BATTERY BL1840B SET	2
A07-1		194204-5	BATTERY BL1830 SET	2
A07-2A		197265-4	BATTERY BL1840B SET	2
A07-2		197600-6	BATTERY BL1830B SET	
A07-2E		197600-6	BATTERY BL1830B SET	
A07-3		197600-6	BATTERY BL1830B SET	
A07-3E		197600-6	BATTERY BL1830B SET	3

Item	Sub	Parts No.	Parts Description	Qty
A07-3F		197600-6	BATTERY BL1830B SET	1
A08A		807S50-8	DHP482RME PLASTIC CASE LABEL	2
A08C		808U79-9	DHP482RFE PLASTIC CASE LABEL	2
A08E		809N54-6	DHP482RFE3 PLASTIC CASE LABEL	2
A08F		D-72148	ACCESSORY SET FOR HP453	1
A09D		D-52308	74PCS. BIT SET, MM, TYPE NZ	1